



2007

AOP SMD LED LAMP SHORT FORM CATALOG



American Opto Plus LED Corp.

1206 E. Lexington Ave., Pomona, CA 91766

3/19/2007

SMD LED LAMP PRODUCT INDEX

Subminiature Solid State Lamps

SOD 323 - 1.6mm x 2.5mm x 0.95mm	L975 series	3
- 2.4mm x 2.15mm x 1.4mm (Gull Wing)	L980-G series	3
- 2.4mm x 2.15mm x 1.4mm (Z Bend)	L980-Z series	4

PCB SMD LED

0603 - 1.6mm x 0.8mm x 1.1mm	L191 series	5
1.6mm x 0.8mm x 0.75mm	L192 series	6
1.6mm x 0.8mm x 0.35mm +/- 0.05 -	L196 series	7
1.6mm x 0.8mm x 0.35mm (Max)	L198 series	7
0805 - 2.0mm x 1.25mm x 0.75mm	L171 series	8
2.0mm x 1.25mm x 1.1mm	L172 series	9
1206 - 3.2mm x 1.6mm x 1.1mm	L150 series	10
3.2mm x 1.6mm x 0.75mm	L151 series	11
3.2mm x 1.6mm x 1.1mm	L152 series	12

RIGHT ANGLE SMD LED

2.1mm x 1.3mm x 0.7mm	L111 series	13
3.0mm x 2.0mm x 1.0mm	L120 series	14
3.2mm x 1.5mm x 1.0mm	L121 series	15
1.6mm x 1.0mm x 0.6mm	L194 series	16

SMD LED LENS TYPE

Inner Lens - 3.0mm x 1.5mm x 1.4mm	L123 series	17
Dome Lens - 3.2mm x 1.6mm x 1.8mm	L153 series	18
3.8mm x 2mm x 2.7mm	L163 series	19

BI-COLOR SMD LED

1.6mm x 1.5mm x 0.7mm	L145 series	20
3mm x 2mm x 1.1mm	L155 series	21
3.3mm x 2.9mm x 1.1mm	L165 series	22

RGB FULL COLOR SMD

1.8mm x 1.6mm x 0.75mm	L340 series	23
3.6mm x 2.3mm x 1.1mm	L360 series	23

PLCC LEDs

3.2mm x 2.8mm x 1.9mm Single Color	L955 series	24
3.2mm x 2.8mm x 1.9mm Bi-Color	L955XX series	25
3.2mm x 2.8mm x 1.9mm TRI-Color	L955XXX series	26

REVERSE MOUNT PLCC

3.2mm x 2.8mm x 1.9mm TRI-Color	L955RM series	27
---------------------------------	---------------------	----

REFLECTOR TYPE LED

3mm x 2mm x 1.3mm	L102 series	38
-------------------	-------------------	----

Visit www.aopled.com for more products or contact sales representative today for products not listed here.



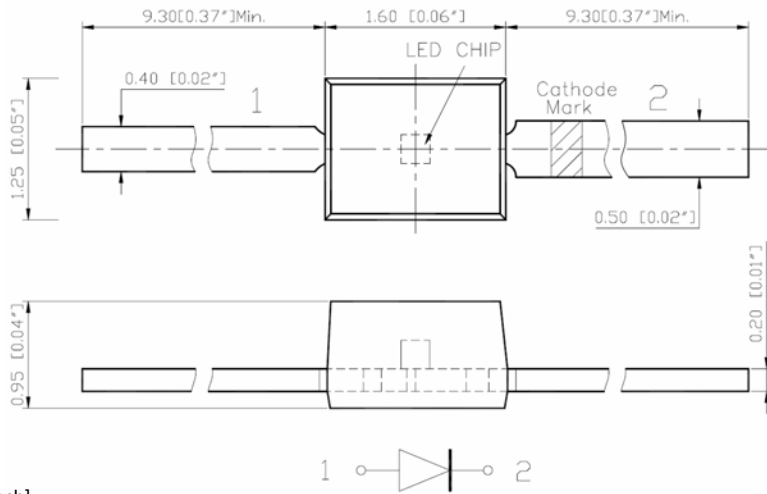
American Opto Plus LED Corp. 1206 E. Lexington Ave., Pomona., CA 91766

Tel: 909-465-0080 Fax: 909-465-0130 Web: www.aopled.com email: info@aopled.com



L975 1.6 x 1.25mm SOD 323

Package Dimension:

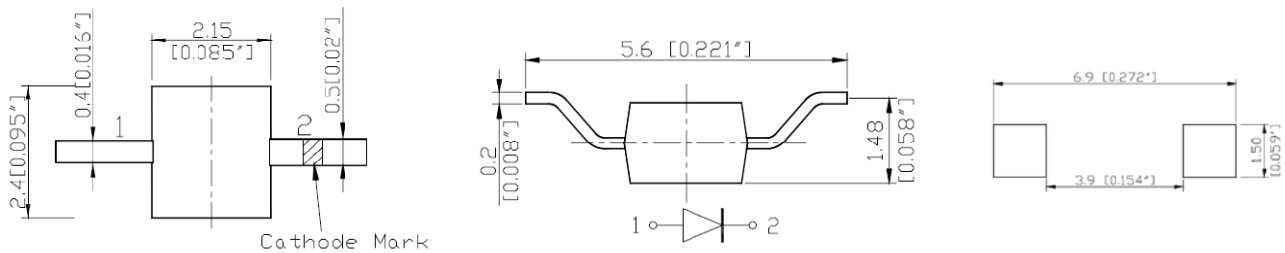


Notes: Unit = mm [inch], Tolerance = $\pm 0.25\text{mm}$ [± 0.01 inch]

Part Number	Chip		Vf (V)		Iv (mcd)	lp (nm)
	Material	Emitted Color	If = 20mA Typ.	Max.	Luminous Intensity If = 10mA	Peak Wavelength
L975RC-TR	GaAlAs	Red	1.8	2.3	4	660
L975SEC-TR	AlGaInP	Red	2.0	2.5	80	630
L975SYC-TR	AlGaInP	Yellow	2.0	2.5	80	590
L975YC-TR	GaAsP	Yellow	2.1	2.6	3	590

L980 2.4 x 2.15 x 1.4mm Gull Wing

Package Dimension:



Notes: Unit = mm [inch], Tolerance = $\pm 0.25\text{mm}$ [± 0.01 inch]

Part Number	Chip		Vf (V)		Iv (mcd)	λp (nm)
	Material	Emitted Color	If = 20mA Typ.	Max.	Luminous Intensity If = 20mA	Peak Wavelength
L980LOC-TR-G	AllnGaP	Amber	2	2.5	150	606
L980LBC-TR-G	GalnN	Blue	3.3	3.8	50	470
L980LPGC-TR-G	GalnN	Green	3.3	3.8	160	525
L980LEC-TR-G	AllnGaP	Red	2.2	2.7	80	625
L980LYC-TR-G	AllnGaP	Yellow	2.0	2.5	80	590
L980SRC-CA-TR-G	GaAlAs	Super Red	1.8	2.3	4	660



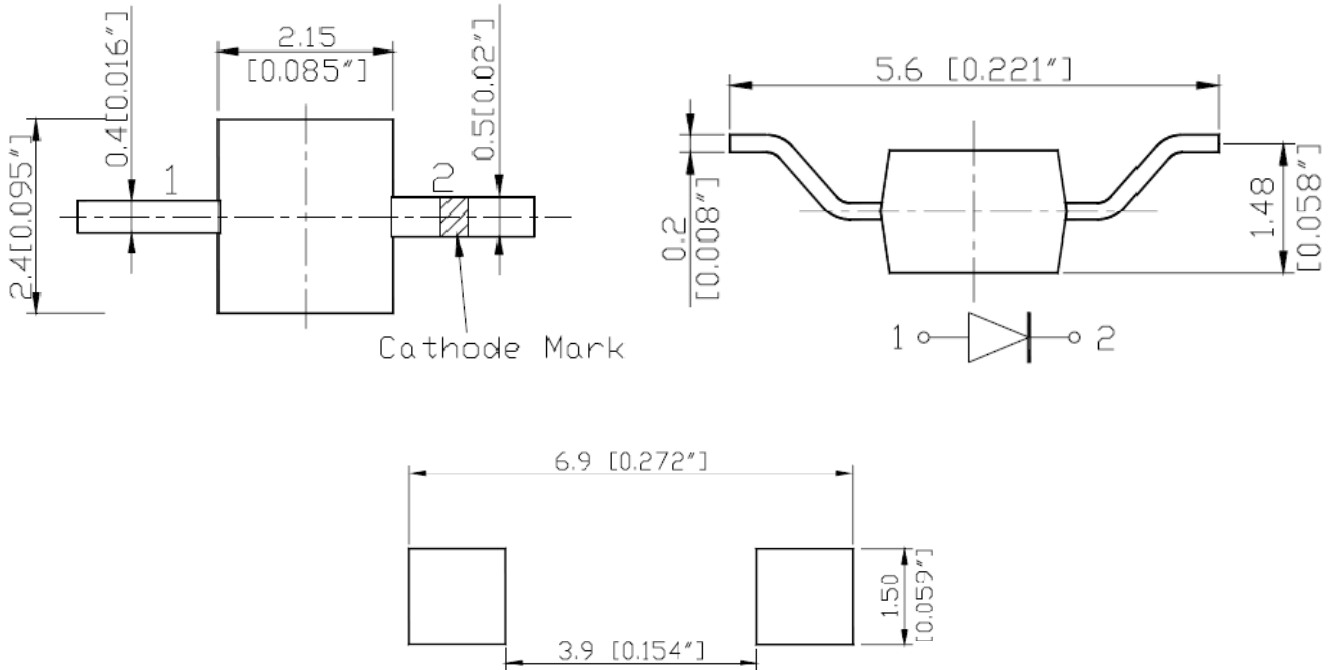
American Opto Plus LED Corp. 1206 E. Lexington Ave., Pomona., CA 91766

Tel: 909-465-0080 Fax: 909-465-0130 Web: www.aopled.com email: info@aopled.com



L980 2.4 x 2.15 x 1.4mm Z Bend

Package Dimension :



Notes: Unit = mm [inch] , Tolerance = $\pm 0.25\text{mm}$ [± 0.01 inch]

Part Number	Chip		Vf (V)		Iv (mcd)	Ip (nm)
	Material	Emitted Color	If = 20mA		Luminous Intensity If = 20 mA	Peak Wavelength
			Typ.	Max.		
L980LOC-TR-Z	AlInGaP	Amber	2.0	2.5	150	606
L980LBC-TR-Z	GaInN	Blue	3.3	3.8	50	470
L980LPGC-TR-Z	GaInN	Green	3.3	3.8	160	525
L980LEC-TR-Z	AlInGaP	Red	2.2	2.7	80	625
L980LYC-TR-Z	AlInGaP	Yellow	2.0	2.5	80	590
L980SRC-CA-TR-Z	GaAlAs	Super Red	1.8	2.3	4	660



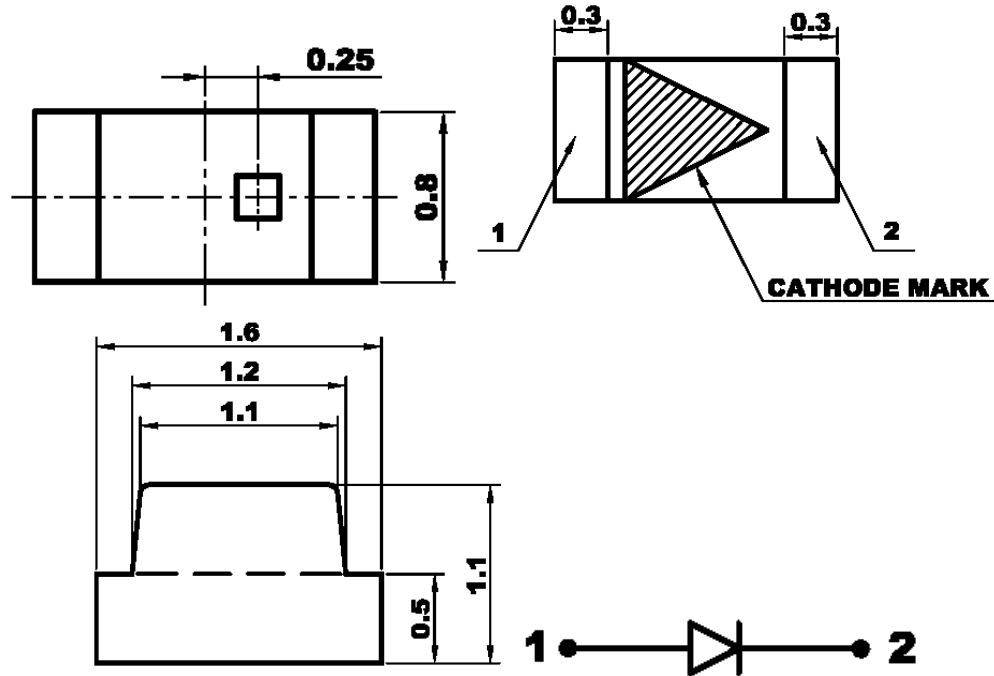
American Opto Plus LED Corp. 1206 E. Lexington Ave., Pomona., CA 91766

Tel: 909-465-0080 Fax: 909-465-0130 Web: www.aopled.com email: info@aopled.com



L191 Series: 1.6 x 0.8 x 1.1 mm

Package Dimension :



Notes: Unit = mm [inch] , Tolerance = $\pm 0.25\text{mm}$ [± 0.01 inch]

Part Number	Chip		Lens Type (Resin)	Iv (mcd)		I _p (nm)
	Material	Emitted Color		Min.	Typ.	Peak Wavelength
L191GC-TR	GaP	Green	Water Clear	5	14	568
L191YC-TR	GaAsP	Yellow	Water Clear	5	14	589
L191EC-TR	GaAsP	Orange	Water Clear	5	14	630
L191SRC-TR	AlGaAs	Red	Water Clear	18	40	660
L191BC-TR	SiC	Blue	Water Clear	5	14	430
L191MBC-TR	SiC	Bright Blue	Water Clear	13	26	468
L191QBC-TR	GaN	Super Blue	Water Clear	25	50	-
L191QGC-TR	AlGaInP	Super Green	Water Clear	35	65	574
L191QYC-TR	AlGaInP	Super Yellow	Water Clear	35	65	592
L191QEC-TR	AlGaInP	Super Orange	Water Clear	35	60	630
L191QRC-TR	AlGaInP	Super Red	Water Clear	35	65	650
L191QAC-TR	AlGaInP	Super Amber	Water Clear	35	70	618
L191QYGC-TR	AlGaInP	Super Green	Water Clear	50	90	574
L191UPGC-TR	InGaN	Super Green	Water Clear	135	200	523
L191UYC-TR	AlGaInP	Super Yellow	Water Clear	70	135	591
L191URC-TR	AlGaInP	Super Red	Water Clear	70	135	650
L191UEC-TR	AlGaInP	Super Orange	Water Clear	90	165	632
L191UAC-TR	AlGaInP	Super Amber	Water Clear	70	135	618



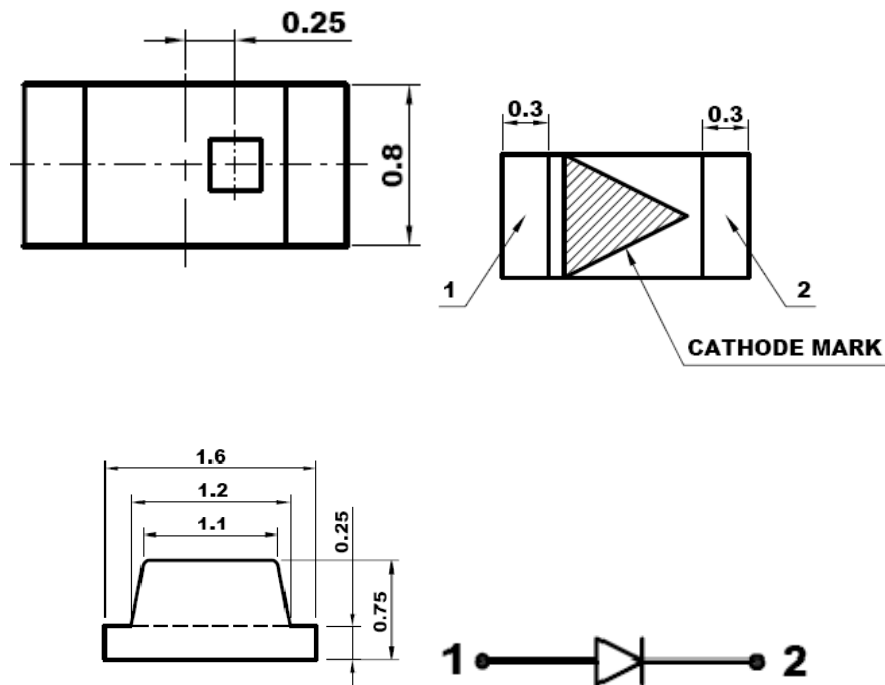
American Opto Plus LED Corp. 1206 E. Lexington Ave., Pomona., CA 91766

Tel: 909-465-0080 Fax: 909-465-0130 Web: www.aopled.com email: info@aopled.com



L192 Series: 1.6 x 0.8 x 0.75 mm

Package Dimension :



Notes: Unit = mm [inch] , Tolerance = $\pm 0.25\text{mm}$ [± 0.01 inch]

Part Number	Chip		Lens Type (Resin)	Iv (mcd)		Ip (nm)
	Material	Emitted Color		Min.	Typ.	Peak Wavelength
L192GC-TR	GaP	Green	Water Clear	5	12	568
L192YC-TR	GaAsP	Yellow	Water Clear	5	12	589
L192EC-TR	GaAsP	Orange	Water Clear	5	12	630
L192SRC-TR	AlGaAs	Red	Water Clear	18	40	660
L192BC-TR	SiC	Blue	Water Clear	5	12	430
L192MBC-TR	SiC	Bright Blue	Water Clear	13	26	468
L192QBC-TR	GaN	Super Blue	Water Clear	25	40	-
L192QGC-TR	AlGaInP	Super Green	Water Clear	35	65	574
L192QYC-TR	AlGaInP	Super Yellow	Water Clear	35	60	592
L192QEC-TR	AlGaInP	Super Orange	Water Clear	35	75	630
L192QRC-TR	AlGaInP	Super Red	Water Clear	35	60	650
L192QAC-TR	AlGaInP	Super Amber	Water Clear	35	70	618
L192QYGC-TR	AlGaInP	Super Green	Water Clear	50	90	574
L192UPGC-TR	InGaN	Super Green	Water Clear	135	200	523
L192UYC-TR	AlGaInP	Super Yellow	Water Clear	90	165	591
L192URC-TR	AlGaInP	Super Red	Water Clear	70	135	650
L192UEC-TR	AlGaInP	Super Orange	Water Clear	90	165	632
L192UAC-TR	AlGaInP	Super Amber	Water Clear	70	135	618



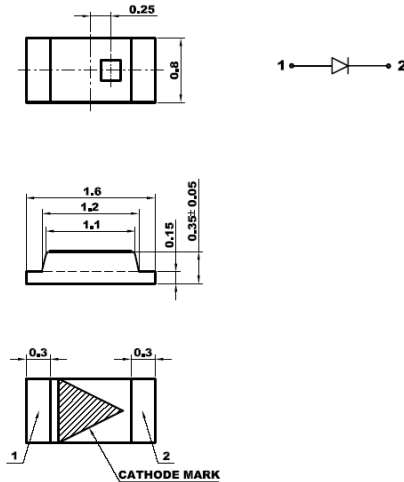
American Opto Plus LED Corp. 1206 E. Lexington Ave., Pomona., CA 91766

Tel: 909-465-0080 Fax: 909-465-0130 Web: www.aopled.com email: info@aopled.com



L196 Series: 1.6mm x 0.8mm x 0.35mm

Package Dimension :

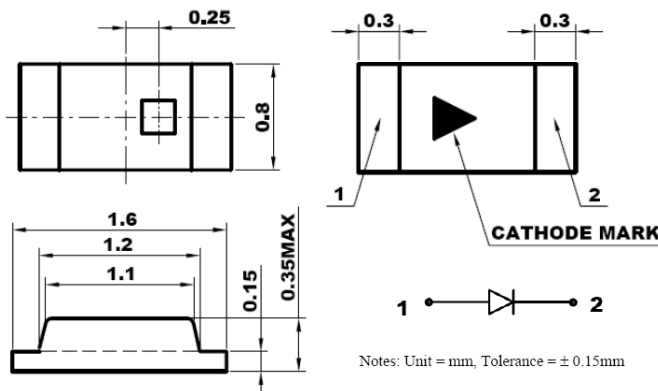


Notes: Unit = mm [inch] , Tolerance = $\pm 0.25\text{mm}$ [± 0.01 inch]

Part Number	Chip		Lens Type (Resin)	Iv (mcd)		Ip (nm)
	Material	Emitted Color		If = 20mA		Peak Wavelength
				Min.	Typ.	
L196SGC-TR	AlGaInP	Super Green	Water Clear	25	70	574
L196SYC-TR	AlGaInP	Super Yellow	Water Clear	35	75	592
L196QYC-TR	AlGaInP	Super Yellow	Water Clear	110	180	592
L196QRC-TR	AlGaInP	Super Red	Water Clear	35	60	650
L196VRC-TR	AlGaInP	Super Red	Water Clear	110	180	650
L196QBC-TR	GaN	Super Blue	Water Clear	25	40	-

L198 1.6mm x 0.8mm x 0.35mm

Package Dimension :



Notes: Unit = mm, Tolerance = $\pm 0.15\text{mm}$

Part Number	Chip		Lens Type(Resin)	Iv (mcd)		Ip (nm)
	Material	Emitted Color		If = 20mA		Peak Wavelength
				Min.	Typ.	
L198QBC-TR	GaN	Super Blue	Water Clear	40	80	470



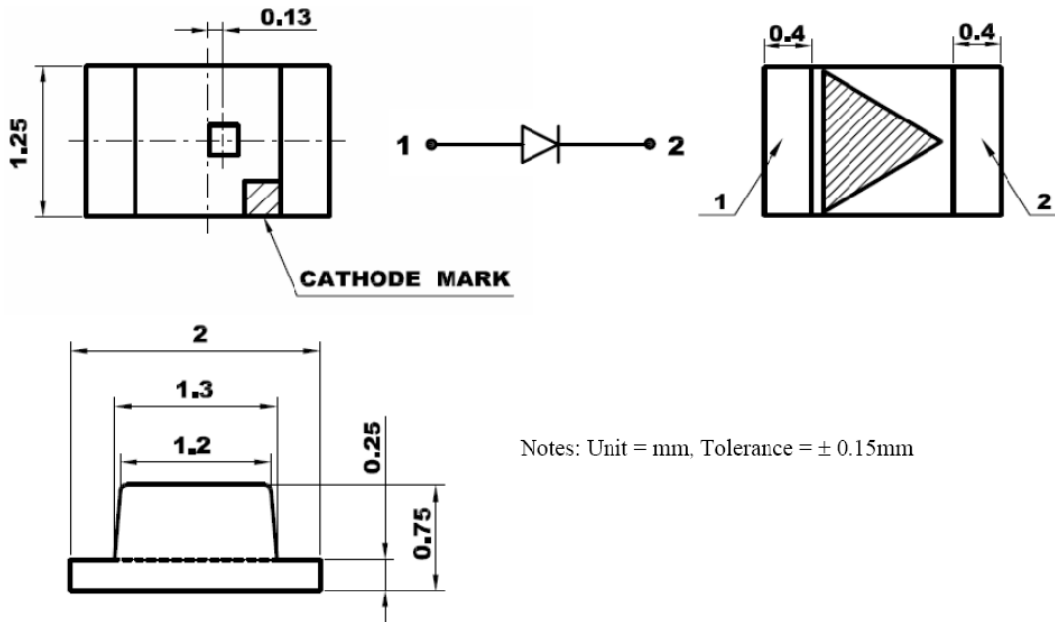
American Opto Plus LED Corp. 1206 E. Lexington Ave., Pomona., CA 91766

Tel: 909-465-0080 Fax: 909-465-0130 Web: www.aopled.com email: info@aopled.com



L171 Series: 2.0mm x 1.25mm x 0.75mm

Package Dimension :



Part Number	Chip		Lens Type (Resin)	Iv (mcd) If = 20 mA		Ip (nm)
	Material	Emitted Color		Min.	Typ.	Peak Wavelength
L171GC-TR	GaP	Green	Water Clear	5	12	568
L171YC-TR	GaAsP	Yellow	Water Clear	5	12	589
L171EC-TR	GaAsP	Orange	Water Clear	5	12	630
L171SRC-TR	AlGaAs	Red	Water Clear	18	40	660
L171BC-TR	SiC	Blue	Water Clear	5	12	430
L171MBC-TR	SiC	Bright Blue	Water Clear	13	26	468
L171QBC-TR	GaN	Super Blue	Water Clear	25	40	-
L171QGC-TR	AlGaInP	Super Green	Water Clear	30	70	574
L171QYC-TR	AlGaInP	Super Yellow	Water Clear	35	65	592
L171QEC-TR	AlGaInP	Super Orange	Water Clear	35	70	630
L171QRC-TR	AlGaInP	Super Red	Water Clear	35	70	650
L171QAC-TR	AlGaInP	Super Amber	Water Clear	35	70	618
L171QYGC-TR	AlGaInP	Super Green	Water Clear	50	90	574
L171UPGC-TR	InGaN	Super Green	Water Clear	135	200	523
L171UYC-TR	AlGaInP	Super Yellow	Water Clear	90	165	591
L171URC-TR	AlGaInP	Super Red	Water Clear	70	135	650
L171UEC-TR	AlGaInP	Super Orange	Water Clear	90	165	632
L171UAC-TR	AlGaInP	Super Amber	Water Clear	70	135	618



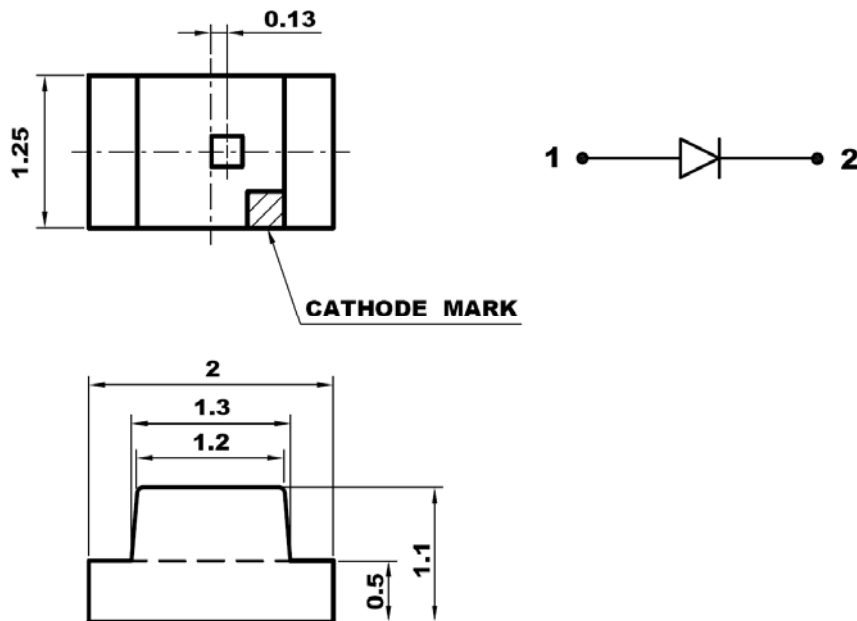
American Opto Plus LED Corp. 1206 E. Lexington Ave., Pomona., CA 91766

Tel: 909-465-0080 Fax: 909-465-0130 Web: www.aopled.com email: info@aopled.com



L172 Series: 2.0mm x 1.25mm x 1.1 mm

Package Dimension :



Notes: Unit = mm [inch] , Tolerance = $\pm 0.25\text{mm}$ [± 0.01 inch]

Part Number	Chip		Lens Type (Resin)	Iv (mcd) If = 20 mA		Ip (nm)
	Material	Emitted Color		Min.	Typ.	Peak Wavelength
L172GC-TR	GaP	Green	Water Clear	5	14	568
L172YC-TR	GaAsP	Yellow	Water Clear	5	12	589
L172EC-TR	GaAsP	Orange	Water Clear	5	14	630
L172SRC-TR	AlGaAs	Red	Water Clear	18	40	660
L172BC-TR	SiC	Blue	Water Clear	5	14	430
L172MBC-TR	SiC	Bright Blue	Water Clear	13	26	468
L172QBC-TR	GaN	Super Blue	Water Clear	25	40	-
L172QGC-TR	AlGaInP	Super Green	Water Clear	35	65	574
L172QYC-TR	AlGaInP	Super Yellow	Water Clear	35	65	592
L172QEC-TR	AlGaInP	Super Orange	Water Clear	35	70	630
L172QRC-TR	AlGaInP	Super Red	Water Clear	35	65	650
L172QAC-TR	AlGaInP	Super Amber	Water Clear	35	70	618
L172QYGC-TR	AlGaInP	Super Green	Water Clear	50	90	574
L172UPGC-TR	InGaN	Super Green	Water Clear	135	200	523
L172UYC-TR	AlGaInP	Super Yellow	Water Clear	90	165	591
L172URC-TR	AlGaInP	Super Red	Water Clear	70	135	650
L172UEC-TR	AlGaInP	Super Orange	Water Clear	90	165	632
L172UAC-TR	AlGaInP	Super Amber	Water Clear	70	135	618



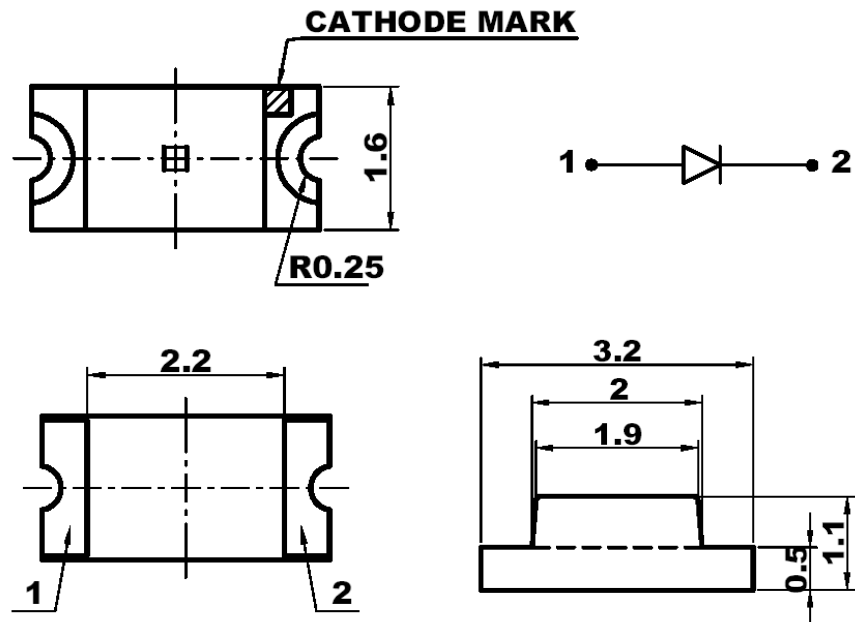
American Opto Plus LED Corp. 1206 E. Lexington Ave., Pomona., CA 91766

Tel: 909-465-0080 Fax: 909-465-0130 Web: www.aopled.com email: info@aopled.com



L150 Series: 3.2mm x 1.60mm x 1.10mm

Package Dimension :



Notes: Unit = mm [inch] , Tolerance = $\pm 0.25\text{mm}$ [± 0.01 inch]

Part Number	Chip		Lens Type (Resin)	Iv (mcd) If = 20 mA		Ip (nm) Peak Wavelength
	Material	Emitted Color		Min.	Typ.	
L150GC-TR	GaP	Green	Water Clear	5	14	568
L150YC-TR	GaAsP	Yellow	Water Clear	5	12	589
L150EC-TR	GaAsP	Orange	Water Clear	5	12	630
L150SRC-TR	AlGaAs	Red	Water Clear	18	40	660
L150BC-TR	SiC	Blue	Water Clear	5	12	430
L150MBC-TR	SiC	Bright Blue	Water Clear	13	26	468
L150QBC-TR	GaN	Super Blue	Water Clear	25	40	-
L150QGC-TR	AlGaInP	Super Green	Water Clear	35	65	574
L150QYC-TR	AlGaInP	Super Yellow	Water Clear	30	70	592
L150QEC-TR	AlGaInP	Super Orange	Water Clear	30	75	630
L150QRC-TR	AlGaInP	Super Red	Water Clear	30	70	650
L150QAC-TR	AlGaInP	Super Amber	Water Clear	35	70	618
L150QYGC-TR	AlGaInP	Super Green	Water Clear	50	90	574
L150UPGC-TR	InGaN	Super Green	Water Clear	135	200	523
L150UYC-TR	AlGaInP	Super Yellow	Water Clear	90	135	591
L150URC-TR	AlGaInP	Super Red	Water Clear	70	135	650
L150UEC-TR	AlGaInP	Super Orange	Water Clear	90	135	632
L150UAC-TR	AlGaInP	Super Amber	Water Clear	70	165	618



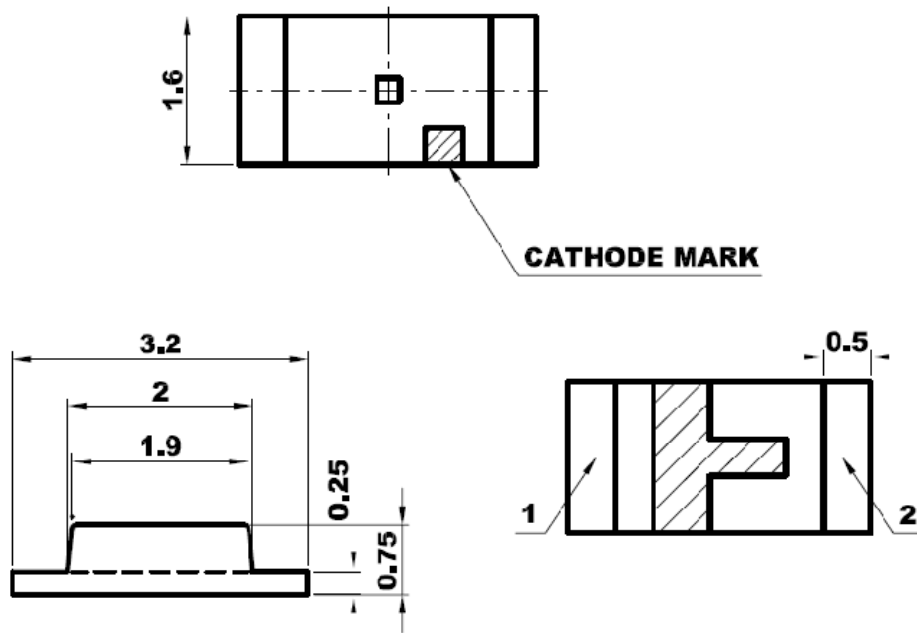
American Opto Plus LED Corp. 1206 E. Lexington Ave., Pomona., CA 91766

Tel: 909-465-0080 Fax: 909-465-0130 Web: www.aopled.com email: info@aopled.com



L151 Series: 3.2mm x 1.60mm x 0.75mm

Package Dimension :



Notes: Unit = mm [inch] , Tolerance = ± 0.25 mm [± 0.01 inch]

Part Number	Chip		Lens Type (Resin)	Iv (mcd) If = 20 mA		Ip (nm) Peak Wavelength
	Material	Emitted Color		Min.	Typ.	
L151GC-TR	GaP	Green	Water Clear	5	12	568
L151YC-TR	GaAsP	Yellow	Water Clear	5	12	589
L151EC-TR	GaAsP	Orange	Water Clear	5	12	630
L151SRC-TR	AlGaAs	Red	Water Clear	18	40	660
L151BC-TR	SiC	Blue	Water Clear	5	14	430
L151MBC-TR	SiC	Bright Blue	Water Clear	13	26	468
L151QBC-TR	GaN	Super Blue	Water Clear	25	40	-
L151QGC-TR	AlGaInP	Super Green	Water Clear	35	65	574
L151QYC-TR	AlGaInP	Super Yellow	Water Clear	30	70	592
L151QEC-TR	AlGaInP	Super Orange	Water Clear	30	75	630
L151QRC-TR	AlGaInP	Super Red	Water Clear	30	70	650
L151QAC-TR	AlGaInP	Super Amber	Water Clear	35	70	618
L151QYGC-TR	AlGaInP	Super Green	Water Clear	50	90	574
L151UPGC-TR	InGaN	Super Green	Water Clear	135	200	523
L151UYC-TR	AlGaInP	Super Yellow	Water Clear	90	135	591
L151URC-TR	AlGaInP	Super Red	Water Clear	70	140	650
L151UEC-TR	AlGaInP	Super Orange	Water Clear	90	165	632
L151UAC-TR	AlGaInP	Super Amber	Water Clear	70	135	618



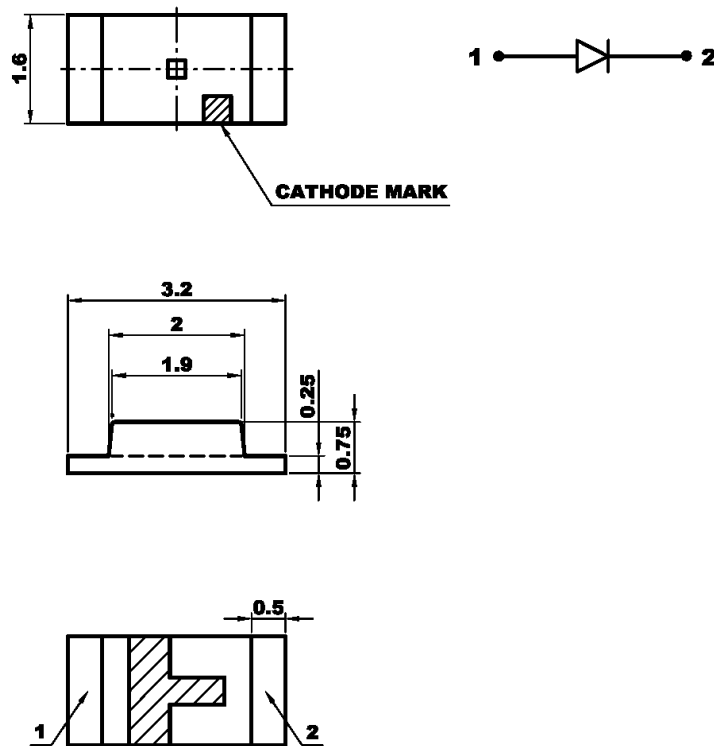
American Opto Plus LED Corp. 1206 E. Lexington Ave., Pomona., CA 91766

Tel: 909-465-0080 Fax: 909-465-0130 Web: www.aopled.com email: info@aopled.com



L152 Series: 3.2mm x 1.60mm x 1.10mm

Package Dimension :



Notes: Unit = mm [inch] , Tolerance = ± 0.25 mm [± 0.01 inch]

Part Number	Chip		Lens Type (Resin)	Iv (mcd) If = 20 mA		Ip (nm)
	Material	Emitted Color		Min.	Typ.	Peak Wavelength
L152GC-TR	GaP	Green	Water Clear	5	12	568
L152YC-TR	GaAsP	Yellow	Water Clear	5	12	589
L152EC-TR	GaAsP	Orange	Water Clear	5	12	630
L152SRC-TR	AlGaAs	Red	Water Clear	18	40	660
L152BC-TR	SiC	Blue	Water Clear	5	12	430
L152MBC-TR	SiC	Bright Blue	Water Clear	13	26	468
L152QBC-TR	GaN	Super Blue	Water Clear	25	40	-
L152QGC-TR	AlGaInP	Super Green	Water Clear	35	65	574
L152QYC-TR	AlGaInP	Super Yellow	Water Clear	30	70	592
L152QEC-TR	AlGaInP	Super Orange	Water Clear	35	65	630
L152QRC-TR	AlGaInP	Super Red	Water Clear	30	70	650
L152QAC-TR	AlGaInP	Super Amber	Water Clear	35	70	618
L152QYGC-TR	AlGaInP	Super Green	Water Clear	50	90	574
L152UPGC-TR	InGaN	Super Green	Water Clear	135	200	523
L152UYC-TR	AlGaInP	Super Yellow	Water Clear	90	165	591
L152URC-TR	AlGaInP	Super Red	Water Clear	70	140	650
L152UEC-TR	AlGaInP	Super Orange	Water Clear	90	165	632
L152UAC-TR	AlGaInP	Super Amber	Water Clear	70	165	618



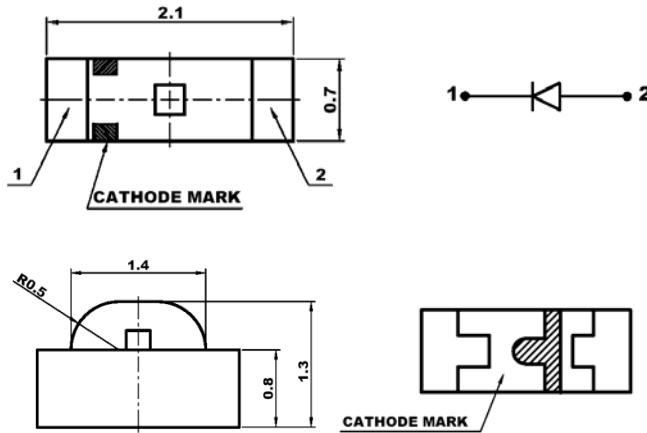
American Opto Plus LED Corp. 1206 E. Lexington Ave., Pomona., CA 91766

Tel: 909-465-0080 Fax: 909-465-0130 Web: www.aopled.com email: info@aopled.com



L111 Right Angle SMD LED: 2.1 x 1.3 x 0.7mm

Package Dimension :



Notes: Unit = mm [inch] , Tolerance = $\pm 0.25\text{mm}$ [± 0.01 inch]

Part Number	Chip		Lens Type (Resin)	Iv (mcd)		I _p (nm) Peak Wavelength
	Material	Emitted Color		I _f = 20mA Min.	Typ.	
L111GC-TR	GaP	Green	Water Clear	5	14	570
L111YC-TR	GaAsP	Yellow	Water Clear	5	14	590
L111EC-TR	GaAsP	Orange	Water Clear	5	14	630
L111SRC-TR	AlGaAs	Red	Water Clear	18	40	660
L111BC-TR	SiC	Blue	Water Clear	5	12	465
L111MBC-TR	SiC	Bright Blue	Water Clear	13	26	470
L111QBC-TR	GaN	Super Blue	Water Clear	25	50	470
L111QGC-TR	AlGaInP	Super Green	Water Clear	35	70	570
L111QYC-TR	AlGaInP	Super Yellow	Water Clear	53	70	590
L111QEC-TR	AlGaInP	Super Orange	Water Clear	35	70	620
L111QRC-TR	AlGaInP	Super Red	Water Clear	35	70	630
L111QAC-TR	AlGaInP	Super Amber	Water Clear	35	75	610
L111UPGC-TR	InGaN	Super Green	Water Clear	100	130	525



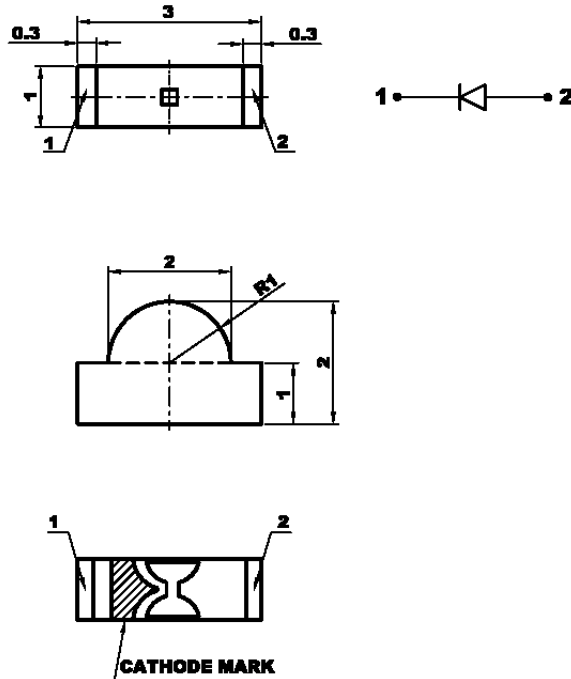
American Opto Plus LED Corp. 1206 E. Lexington Ave., Pomona., CA 91766

Tel: 909-465-0080 Fax: 909-465-0130 Web: www.aopled.com email: info@aopled.com



L120 Right Angle SMD LED: 3.0 x 2.0 x 1.0mm

Package Dimension :



Notes: Unit = mm [inch] , Tolerance = $\pm 0.25\text{mm}$ [± 0.01 inch]

Part Number	Chip		Lens Type (Resin)	Iv (mcd) If = 20 mA		Ip (nm)
	Material	Emitted Color		Min.	Typ.	Peak Wavelength
L120GC-TR	GaP	Green	Water Clear	5	14	568
L120YC-TR	GaAsP	Yellow	Water Clear	5	14	589
L120EC-TR	GaAsP	Orange	Water Clear	5	14	630
L120SRC-TR	AlGaAs	Red	Water Clear	18	40	660
L120BC-TR	SiC	Blue	Water Clear	5	13	430
L120MBC-TR	SiC	Bright Blue	Water Clear	13	26	468
L120QBC-TR	GaN	Super Blue	Water Clear	25	50	-
L120QGC-TR	AlGaInP	Super Green	Water Clear	35	70	574
L120QYC-TR	AlGaInP	Super Yellow	Water Clear	35	70	592
L120QEC-TR	AlGaInP	Super Orange	Water Clear	35	70	630
L120QRC-TR	AlGaInP	Super Red	Water Clear	35	70	650
L120QAC-TR	AlGaInP	Super Amber	Water Clear	35	70	618
L120QYGC-TR	AlGaInP	Super Green	Water Clear	50	90	574
L120UPGC-TR	InGaN	Super Green	Water Clear	135	200	523
L120UYC-TR	AlGaInP	Super Yellow	Water Clear	90	165	591
L120URC-TR	AlGaInP	Super Red	Water Clear	90	135	650
L120UEC-TR	AlGaInP	Super Orange	Water Clear	90	165	632
L120UAC-TR	AlGaInP	Super Amber	Water Clear	90	135	618



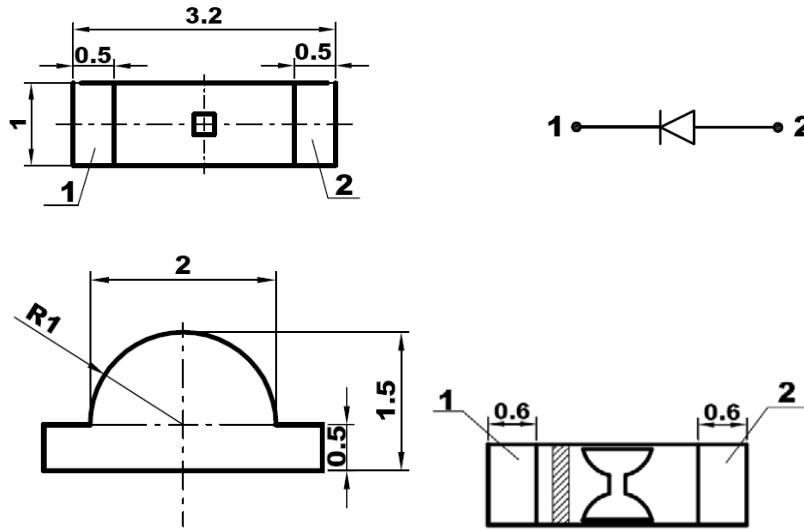
American Opto Plus LED Corp. 1206 E. Lexington Ave., Pomona., CA 91766

Tel: 909-465-0080 Fax: 909-465-0130 Web: www.aopled.com email: info@aopled.com



L121 Right Angle SMD LED: 3.2 x 1.5 x 1.0mm

Package Dimension :



Notes: Unit = mm [inch] , Tolerance = $\pm 0.25\text{mm}$ [± 0.01 inch]

Part Number	Chip		Lens Type (Resin)	Iv (mcd)		Ip (nm)
	Material	Emitted Color		Iv = 20mA Min.	Typ.	Peak Wavelength
L121GC-TR	GaP	Green	Water Clear	5	14	570
L121YC-TR	GaAsP	Yellow	Water Clear	5	12	590
L121EC-TR	GaAsP	Orange	Water Clear	5	12	630
L121QBC-TR	GaN	Super Blue	Water Clear	30	55	470
L121QGC-TR	AlGaInP	Super Green	Water Clear	50	80	570
L121QYC-TR	AlGaInP	Super Yellow	Water Clear	60	120	590
L121QEC-TR	AlGaInP	Super Orange	Water Clear	50	90	620
L121QRC-TR	AlGaInP	Super Red	Water Clear	35	70	650
L121QAC-TR	AlGaInP	Super Amber	Water Clear	35	70	610
L121UPGC-TR	InGaN	Super Green	Water Clear	200	300	525



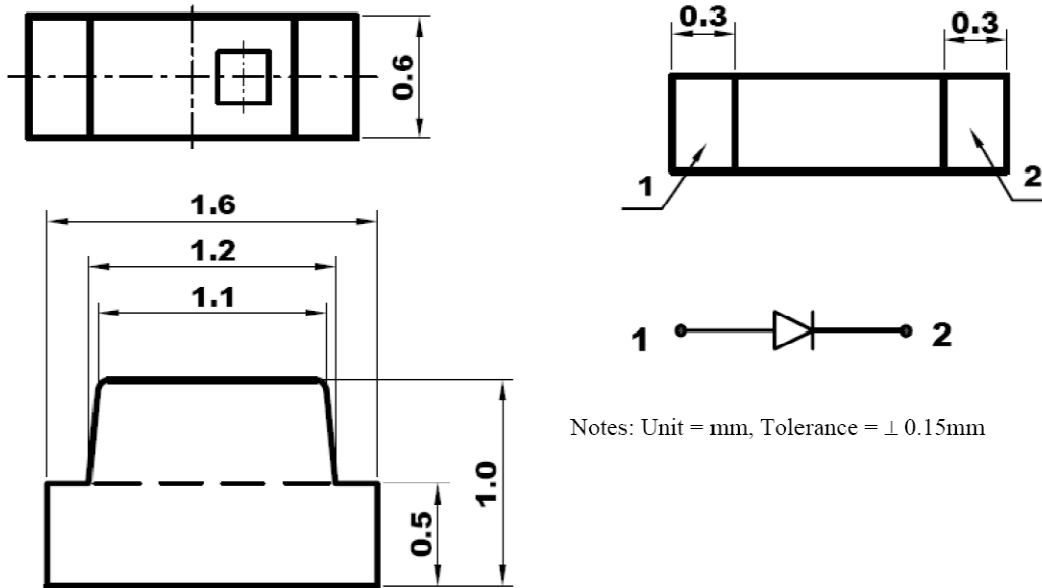
American Opto Plus LED Corp. 1206 E. Lexington Ave., Pomona., CA 91766

Tel: 909-465-0080 Fax: 909-465-0130 Web: www.aopled.com email: info@aopled.com



L194 Right Angle SMD LED: 1.6 x 1.0 x 0.6mm

Package Dimension :



Notes: Unit = mm, Tolerance = ± 0.15 mm

Part Number	Chip		Lens Type (Resin)	Iv (mcd)		I _p (nm)
	Material	Emitted Color		Min.	Typ.	Peak Wavelength
L194GC-TR	GaP	Green	Water Clear	5	14	568
L194YC-TR	GaAsP	Yellow	Water Clear	5	12	589
L194EC-TR	GaAsP	Orange	Water Clear	5	14	630
L194SRC-TR	AlGaAs	Red	Water Clear	18	40	660
L194BC-TR	SiC	Blue	Water Clear	5	14	430
L194MBC-TR	SiC	Bright Blue	Water Clear	13	26	468
L194QBC-TR	GaN	Super Blue	Water Clear	25	40	-
L194QGC-TR	AlGaInP	Super Green	Water Clear	35	65	574
L194QYC-TR	AlGaInP	Super Yellow	Water Clear	35	65	592
L194QEC-TR	AlGaInP	Super Orange	Water Clear	35	70	630
L194QRC-TR	AlGaInP	Super Red	Water Clear	35	65	650
L194QAC-TR	AlGaInP	Super Amber	Water Clear	35	70	618
L194QYGC-TR	AlGaInP	Super Green	Water Clear	50	90	574
L194UPGC-TR	InGaN	Super Green	Water Clear	135	200	523
L194UYC-TR	AlGaInP	Super Yellow	Water Clear	90	165	591
L194URC-TR	AlGaInP	Super Red	Water Clear	70	135	650
L194UEC-TR	AlGaInP	Super Orange	Water Clear	70	165	632
L194UAC-TR	AlGaInP	Super Amber	Water Clear	70	135	618



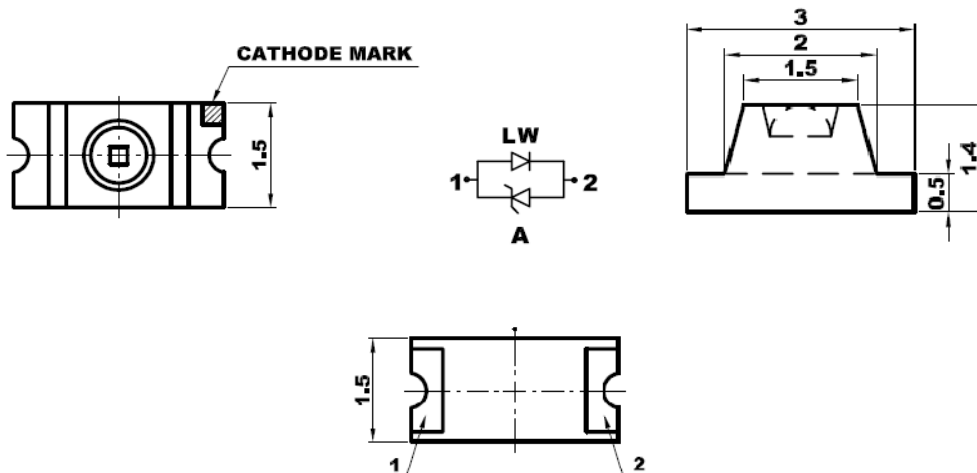
American Opto Plus LED Corp. 1206 E. Lexington Ave., Pomona., CA 91766

Tel: 909-465-0080 Fax: 909-465-0130 Web: www.aopled.com email: info@aopled.com



L123 INNER LENS LED: 3.0 x 1.5 x 1.4mm

Package Dimension :



Notes: Unit = mm [inch] , Tolerance = $\pm 0.25\text{mm}$ [± 0.01 inch]

Part Number	Chip		Lens Type (Resin)	Iv (mcd)		Ip (nm) Peak Wavelength
	Material	Emitted Color		Min.	Typ.	
L123GC-TR	GaP	Green	Water Clear	5	15	570
L123YC-TR	GaAsP	Yellow	Water Clear	5	15	590
L123EC-TR	GaAsP	Orange	Water Clear	5	15	620
L123SRC-TR	AlGaAs	Red	Water Clear	18	60	645
L123BC-TR	SiC	Blue	Water Clear	5	15	465
L123MBC-TR	SiC	Brightness Blue	Water Clear	13	26	470
L123QBC	GaN	Super blue	Water Clear	50	90	470
L123QGC-TR	AlGaInP	Super Green	Water Clear	35	80	574
L123QYC-TR	AlGaInP	Super Yellow	Water Clear	40	80	592
L123QEC-TR	AlGaInP	Super Orange	Water Clear	40	80	630
L123QRC-TR	AlGaInP	Super Red	Water Clear	40	80	650
L123QAC-TR	AlGaInP	Super Amber	Water Clear	35	70	618



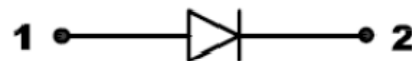
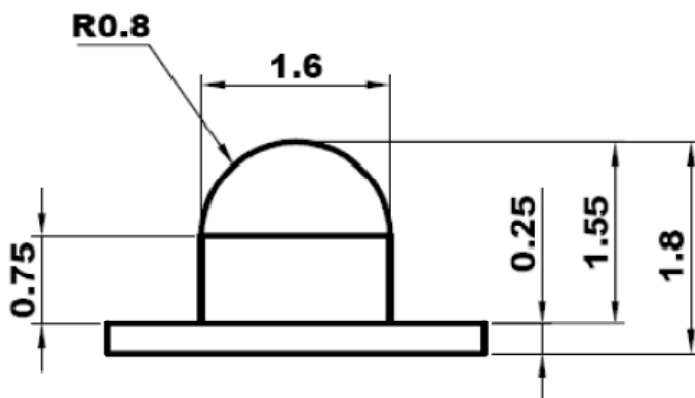
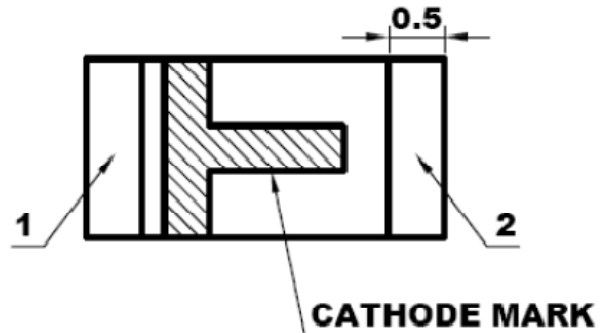
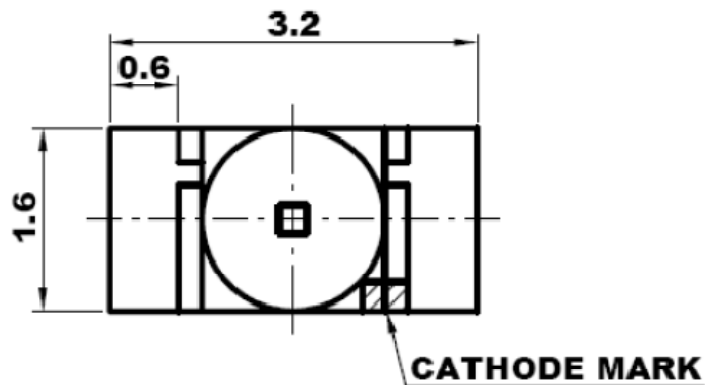
American Opto Plus LED Corp. 1206 E. Lexington Ave., Pomona., CA 91766

Tel: 909-465-0080 Fax: 909-465-0130 Web: www.aopled.com email: info@aopled.com



L153 Series: 3.2 x 1.6 x 1.8mm

Package Dimension :



Notes: Unit = mm, Tolerance = ± 0.25 mm

Part Number	Chip		Lens Type (Resin)	Iv (mcd)		I _p (nm)
	Material	Emitted Color		Min.	Typ.	Peak Wavelength
L153GC-TR	GaP	Green	Water Clear	25	40	568
L153YC-TR	GaAsP	Yellow	Water Clear	18	40	589
L153EC-TR	GaAsP	Orange	Water Clear	25	40	630
L153SRC-TR	AlGaAs	Red	Water Clear	35	70	660
L153BC-TR	SiC	Blue	Water Clear	20	40	430
L153MBC-TR	SiC	Bright Blue	Water Clear	25	60	468
L153QBC-TR	GaN	Super Blue	Water Clear	90	150	-
L153QGC-TR	AlGaInP	Super Green	Water Clear	110	330	574
L153QYC-TR	AlGaInP	Super Yellow	Water Clear	150	350	592
L153QEC-TR	AlGaInP	Super Orange	Water Clear	135	350	630
L153QRC-TR	AlGaInP	Super Red	Water Clear	90	160	650
L153QAC-TR	AlGaInP	Super Amber	Water Clear	90	180	618
L153UPGC-TR	InGaN	Super Green	Water Clear	750	1000	523
L153UYC-TR	AlGaInP	Super Yellow	Water Clear	300	600	591
L153URC-TR	AlGaInP	Super Red	Water Clear	350	600	650
L153UEC-TR	AlGaInP	Super Orange	Water Clear	300	500	632
L153UAC-TR	AlGaInP	Super Amber	Water Clear	300	600	618



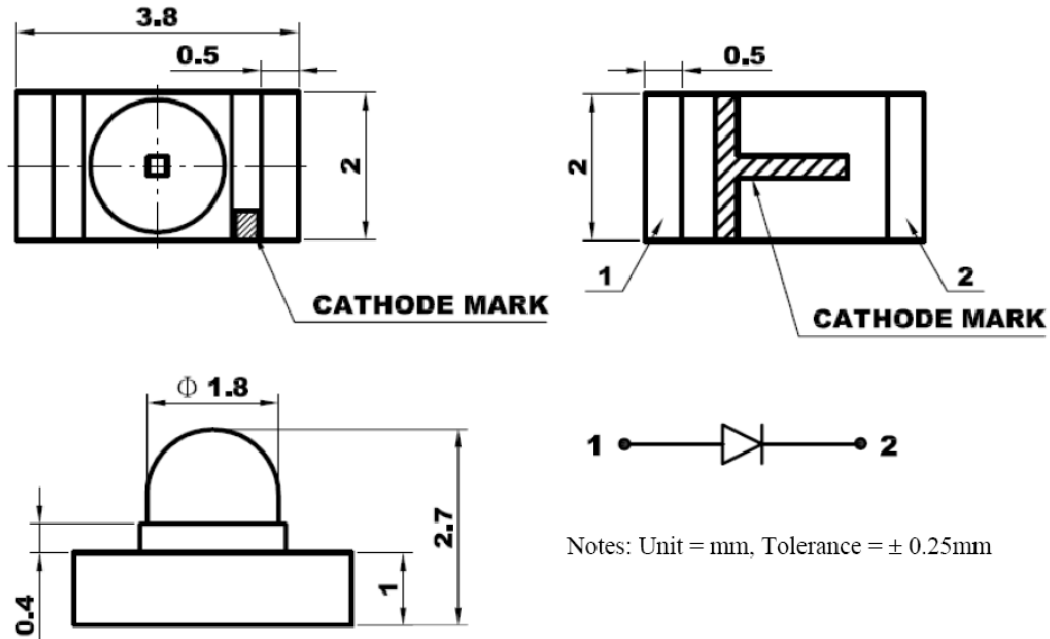
American Opto Plus LED Corp. 1206 E. Lexington Ave., Pomona., CA 91766

Tel: 909-465-0080 Fax: 909-465-0130 Web: www.aopled.com email: info@aopled.com



L163 DOME Lens: 3.8 x 2.0 x 2.7mm

Package Dimension :



Notes: Unit = mm, Tolerance = ± 0.25 mm

Part Number	Chip		Lens Type (Resin)	Iv (mcd)		I _p (nm)
	Material	Emitted Color		Min.	Typ.	Peak Wavelength
L163GC-TR	GaP	Green	Water Clear	25	40	568
L163YC-TR	GaAsP	Yellow	Water Clear	18	40	589
L163EC-TR	GaAsP	Orange	Water Clear	25	40	630
L163SRC-TR	AlGaAs	Red	Water Clear	18	60	660
L163BC-TR	SiC	Blue	Water Clear	25	40	430
L163MBC-TR	SiC	Bright Blue	Water Clear	25	60	468
L163QBC-TR	GaN	Super Blue	Water Clear	90	150	470
L163QGC-TR	AlGaInP	Super Green	Water Clear	50	90	574
L163QYC-TR	AlGaInP	Super Yellow	Water Clear	90	140	592
L163QEC-TR	AlGaInP	Super Orange	Water Clear	70	140	630
L163QRC-TR	AlGaInP	Super Red	Water Clear	90	160	650
L163QAC-TR	AlGaInP	Super Amber	Water Clear	90	150	618
L163UYC-TR	AlGaInP	Super Yellow	Water Clear	450	950	591



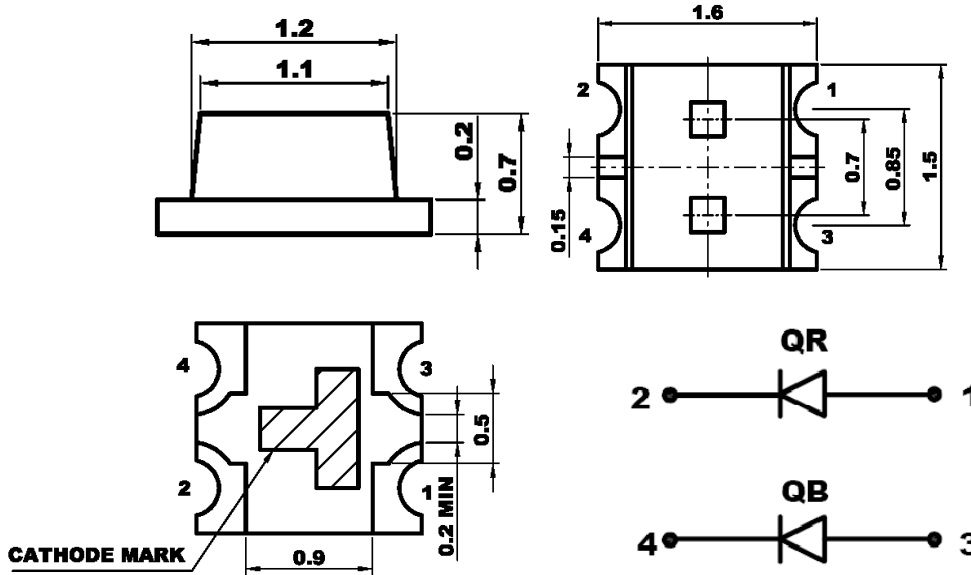
American Opto Plus LED Corp. 1206 E. Lexington Ave., Pomona., CA 91766

Tel: 909-465-0080 Fax: 909-465-0130 Web: www.aopled.com email: info@aopled.com



L145 Bi-Color: 1.6 x 1.5 x 0.7mm

Package Dimension :



Notes: Unit = mm [inch] , Tolerance = ± 0.25 mm [± 0.01 inch]

Part Number	Chip		Lens Type (Resin)	Iv (mcd)		Ip (nm)
	Material	Emitted Color		Min.	Typ.	Peak Wavelength
L145GYC-TR	Gap	Green	Water Clear	5	12	570
	GaAsP	Yellow	Water Clear	5	12	590
L145EGC-TR	GaAsP	Orange	Water Clear	5	12	630
	GaP	Green	Water Clear	5	12	570
L145EYC-TR	GaAsP	Orange	Water Clear	5	12	630
	GaAsP	Yellow	Water Clear	5	12	589
L145SRGC-TR	AlGaAs	Red	Water Clear	18	40	660
	GaP	Green	Water Clear	5	12	568
L145SRQGC-TR	AlGaAs	Red	Water Clear	18	40	660
	AlGaInP	Super Green	Water Clear	30	65	574
L145QBQAC-TR	GaN	Super Blue	Water Clear	18	40	470
	AlGaInP	Super Amber	Water Clear	50	90	618
L145QBQAC-TR	GaN	Super Blue	Water Clear	18	40	470
	AlGaInP	Super Amber	Water Clear	50	90	618
L145QBQGC-TR	GaN	Super Blue	Water Clear	18	40	470
	AlGaInP	Super Green	Water Clear	30	70	574
L145QBQYC-TR	GaN	Super Blue	Water Clear	18	40	470
	AlGaInP	Super Yellow	Water Clear	35	70	592
L145QGQYC-TR	AlGaInP	Super Green	Water Clear	35	70	574
	AlGaInP	Super Yellow	Water Clear	35	70	592
L145QRQGC-TR	AlGaInP	Super Red	Water Clear	35	70	650
	AlGaInP	Super Green	Water Clear	35	70	574



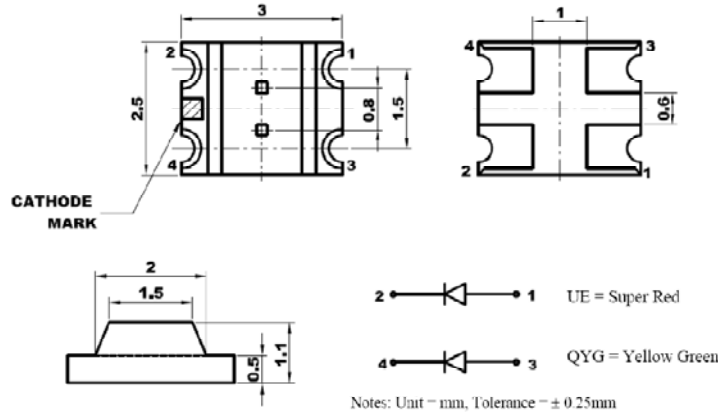
American Opto Plus LED Corp. 1206 E. Lexington Ave., Pomona., CA 91766

Tel: 909-465-0080 Fax: 909-465-0130 Web: www.aopled.com email: info@aopled.com



L155 Bi-Color LED: 3.0 x 2.5 x 1.1mm

Package Dimension :



Part Number	Chip		Lens Type (Resin)	Iv (mcd) If = 20 mA		I _p (nm) Peak Wavelength
	Material	Emitted Color		Min.	Typ.	
L155GYC-TR	GaP	Green	Water Clear	5	12	568
	GaAsP	Yellow	Water Clear	5	12	589
L155EGC-TR	GaAsP	Orange	Water Clear	5	12	630
	GaP	Green	Water Clear	5	12	568
L155EYC-TR	GaAsP	Orange	Water Clear	5	12	630
	GaAsP	Yellow	Water Clear	5	12	589
L155SRGC-TR	AlGaAs	Red	Water Clear	18	40	660
	AlGaInP	Green	Water Clear	5	12	568
L155SRQGC-TR	AlGaAs	Red	Water Clear	18	40	660
	AlGaInP	Super Green	Water Clear	30	65	574
L155QBQAC-TR	GaN	Super Blue	Water Clear	18	40	470
	AlGaInP	Super Amber	Water Clear	35	70	618
L155QBQYC-TR	GaN	Super Blue	Water Clear	18	70	470
	AlGaInP	Super Yellow	Water Clear	35	70	592
L155QGQYC-TR	AlGaInP	Super Green	Water Clear	35	70	574
	AlGaInP	Super Yellow	Water Clear	35	70	592
L155QEQGC-TR	AlGaInP	Super Orange	Water Clear	35	70	630
	AlGaInP	Super Green	Water Clear	35	70	574
L155QEQYC-TR	AlGaInP	Super Orange	Water Clear	35	70	630
	AlGaInP	Super Yellow	Water Clear	35	70	592
L155QRUPGC-TR	AlGaInP	Super Red	Water Clear	50	90	650
	InGaN	Super Green	Water Clear	135	200	523
L155UEQYGC-TR	AlGaInP	Super Orange	Water Clear	135	200	632
	AlGaInP	Super Green	Water Clear	70	110	574



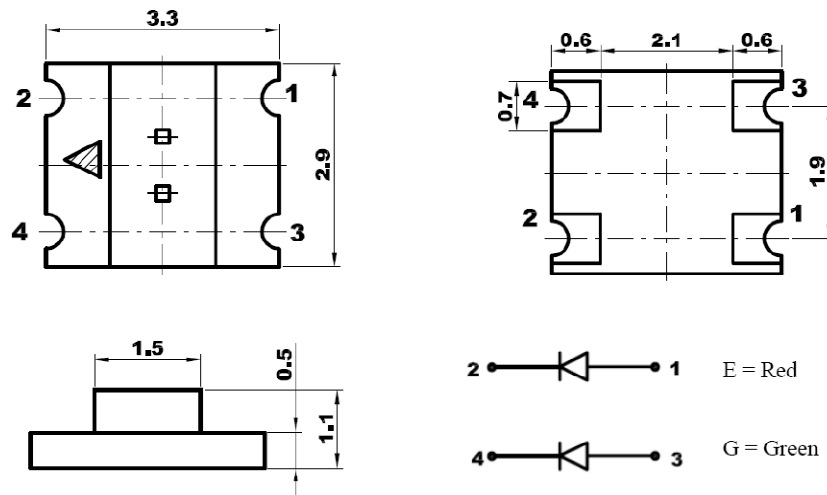
American Opto Plus LED Corp. 1206 E. Lexington Ave., Pomona., CA 91766

Tel: 909-465-0080 Fax: 909-465-0130 Web: www.aopled.com email: info@aopled.com



L165 Bi-Color LED: 3.3 x 2.9 x 1.1mm

Package Dimension :



Notes: Unit = mm, Tolerance = $\pm 0.25\text{mm}$

Part Number	Chip		Lens Type (Resin)	Iv (mcd) If = 20 mA		Ip (nm)
	Material	Emitted Color		Min.	Typ.	Peak Wavelength
L165GYC-TR	GaP	Green	Water Clear	5	12	568
	GaAsP	Yellow	Water Clear	5	12	589
L165EGC-TR	GaAsP	Orange	Water Clear	5	12	630
	GaP	Green	Water Clear	5	12	568
L165EYC-TR	GaAsP	Orange	Water Clear	5	12	630
	GaAsP	Yellow	Water Clear	5	12	589
L165RGC-TR	AlGaAs	Red	Water Clear	18	40	660
	GaP	Green	Water Clear	5	12	568
L165RQGC-TR	AlGaAs	Red	Water Clear	18	40	660
	AlGaInP	Super Green	Water Clear	30	65	574
L165QBQYC-TR	GaN	Super Blue	Water Clear	25	40	470
	AlGaInP	Super Yellow	Water Clear	35	70	592
L165QGQYC-TR	AlGaInP	Super Green	Water Clear	35	70	574
	AlGaInP	Super Yellow	Water Clear	35	70	592
L165QRQGC-TR	AlGaInP	Super Red	Water Clear	35	70	650
	AlGaInP	Super Green	Water Clear	35	70	574
L165QEQGC-TR	AlGaInP	Super Orange	Water Clear	35	70	630
	AlGaInP	Super Green	Water Clear	35	70	574
L165QEQYC-TR	AlGaInP	Super Orange	Water Clear	35	70	630
	AlGaInP	Super Yellow	Water Clear	35	70	592
L165RUPGC-TR	AlGaInP	Super Red	Water Clear	18	40	650
	InGaN	Super Green	Water Clear	200	290	523



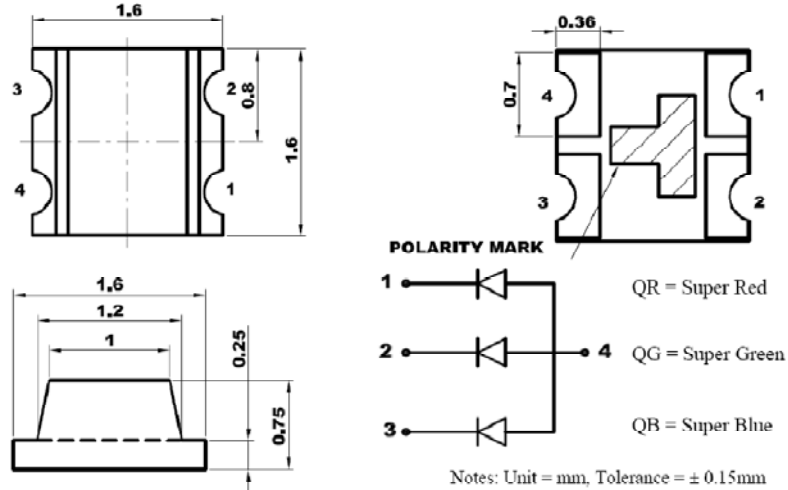
American Opto Plus LED Corp. 1206 E. Lexington Ave., Pomona., CA 91766

Tel: 909-465-0080 Fax: 909-465-0130 Web: www.aopled.com email: info@aopled.com



L340 RGB SMD LED: 1.8 x 1.6 x 0.75mm

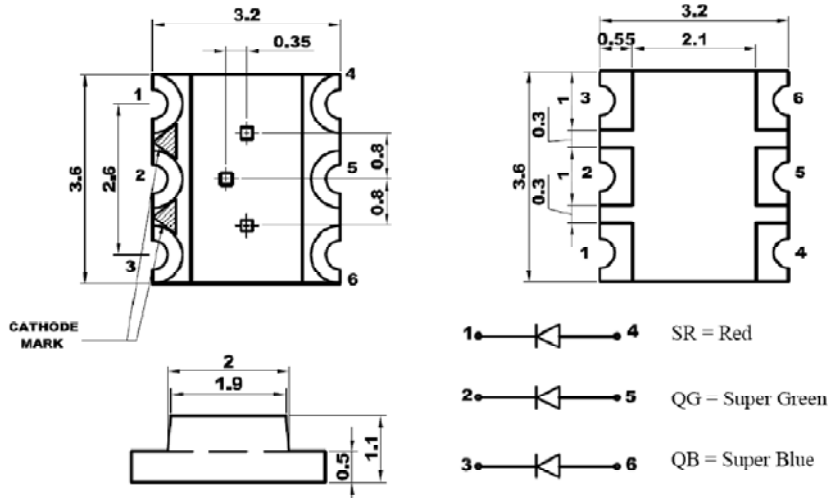
Package Dimension :



Part Number	Chip		Lens Type (Resin)	Iv (mcd)		I λ (nm)
	Material	Emitted Color		Min.	Typ.	Peak Wavelength
L340QRQGQBC-TR	AlGaInP	Red	Water Clear	35	60	630
	AlGaInP	Green		35	60	570
	GaN	Blue		25	40	470

L360 RGB SMD LED: 3.6 x 2.3 x 1.1mm

Package Dimension :



Part Number	Chip		Lens Type (Resin)	Iv (mcd)		I λ (nm)
	Material	Emitted Color		Min.	Typ.	Peak
L360SRQGQBC-TR	AlGaAs	Red	Water Clear	13	40	660
	AlGaInP	Green		35	65	570
	GaN	Blue		25	40	470



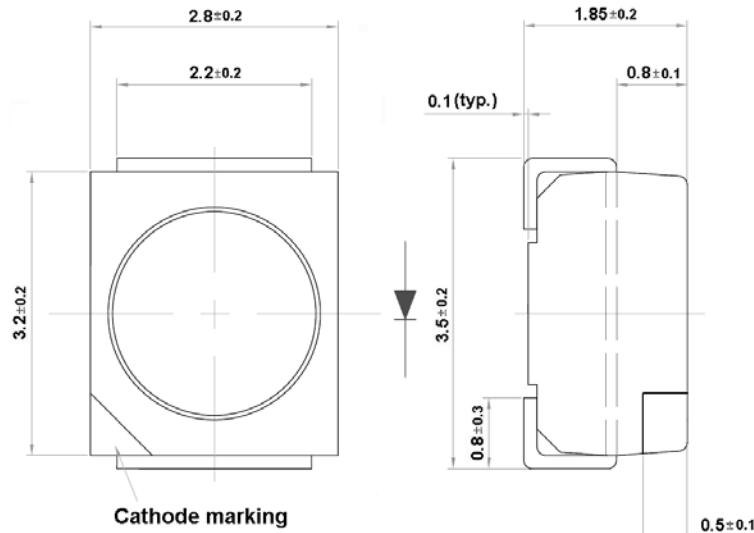
American Opto Plus LED Corp. 1206 E. Lexington Ave., Pomona., CA 91766

Tel: 909-465-0080 Fax: 909-465-0130 Web: www.aopled.com email: info@aopled.com



L955 PLCC2 SINGLE COLOR

Package Dimension :



Notes: Unit = mm [inch] , Tolerance = ± 0.25mm [± 0.01 inch]

Part Number	Chip		Wavelength Dominant (λD)	Iv (mcd)	Viewing 2θ 1/2
	Material	Emitted Color			
L955LWC	InGaN	White	-	450 – 900	120°
L955LBC	InGaN	Blue	470	45 – 112.5	
L955QBC			470	71.5 - 180	
L955UBC			470	112.5 – 224.0	
L955LBGC	InGaN	Blue Green	505	112.5 - 285.0	
L955UBGC			505	180.0 – 450.0	
L955MBGC			505	285 – 560	
L955LPGC	InGaN	Pure Green	525	112.5 – 285	
L955UPGC			525	180 – 450	
L955MPGC			525	285 – 715	
L955LHC	AllInGaP	Hyper-Red	640	45 – 112.5	
L955LIC	AllInGaP	Super-Red	632	71.5 – 180	
L955UEC	AllInGaP	Red	625	112.5 – 285	
L955MEC	TS AllInGaP	Red	625	285 – 715	
L955LAC	AllInGaP	Amber	615	112.5 – 285	
L955UAC	AllInGaP	Orange	615	180 – 450	
L955LOC			605	112.5 – 285	
L955UOC			605	180 – 450	
L955LYC	AllInGaP	Yellow	587	112.5 – 285	
L955UYC	TS AllInGaP	Yellow	587	180 – 450	
L955MYC			590	285 – 715	
L955LYGC			AllInGaP	Yellow Green	
L955UYGC	AllInGaP	Yellow Green	572	71.5 – 180	
L955STGC			AllInGaP	True Green	



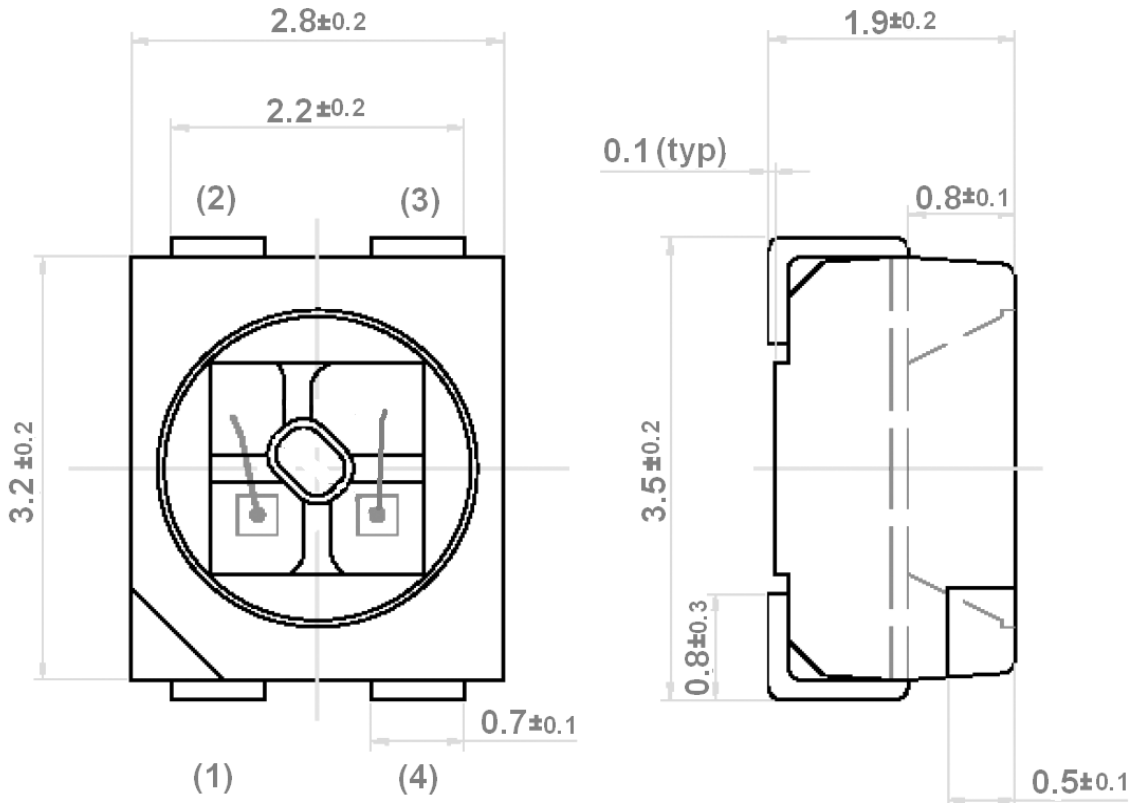
American Opto Plus LED Corp. 1206 E. Lexington Ave., Pomona., CA 91766

Tel: 909-465-0080 Fax: 909-465-0130 Web: www.aopled.com email: info@aopled.com



L955 Bi-Color RGB Top LED: 3.2 x 2.8 mm

Package Dimension :



Notes: Unit = mm [inch] , Tolerance = ± 0.25mm [± 0.01 inch]

Part Number	Chip		Luminous Intensity	Forward Voltage	Dominant Wavelength
	Color	Material	Range (mcd)	Range(Vf)	Range(nm)
L955UEUGC	Red	AllnGaP	112.5 – 285	1.55 – 2.45	620 – 630
	Green	AllnGaP	71.5 – 180	1.55 – 2.45	564 – 576
L955LILGC	Red	AllnGaP	45 – 112.5	1.55 – 2.45	625 – 640
	Green	AllnGaP	45 – 112.5	1.55 – 2.45	564 – 576
L955LILPGC	Red	AllnGaP	45 – 112.5	1.55 – 2.45	625 – 640
	True Green	InGaN	112.5 – 285	3.35 – 4.25	520 – 536
L955LIUYC	Red	AllnGaP	45 – 112.5	1.55 – 2.45	625 – 640
	Yellow	AllnGaP	112.5 – 285.0	1.55 – 2.45	582 – 594
L955UYLBC	Yellow	AllnGaP	112.5 – 285.0	1.55 – 2.45	582 – 594
	Blue	InGaN	45 – 112.5	3.35 – 4.25	464 – 476
L955UYLPGC	Yellow	AllnGaP	112.5 – 285.0	1.55 – 2.45	582 – 594
	True Green	InGaN	112.5 – 285	3.35 – 4.25	520 – 536
L955LYLGC	Yellow	AllnGaP	71.5 – 180	1.55 – 2.45	582 – 594
	Green	AllnGaP	45 – 112.5	1.55 – 2.45	564 – 576



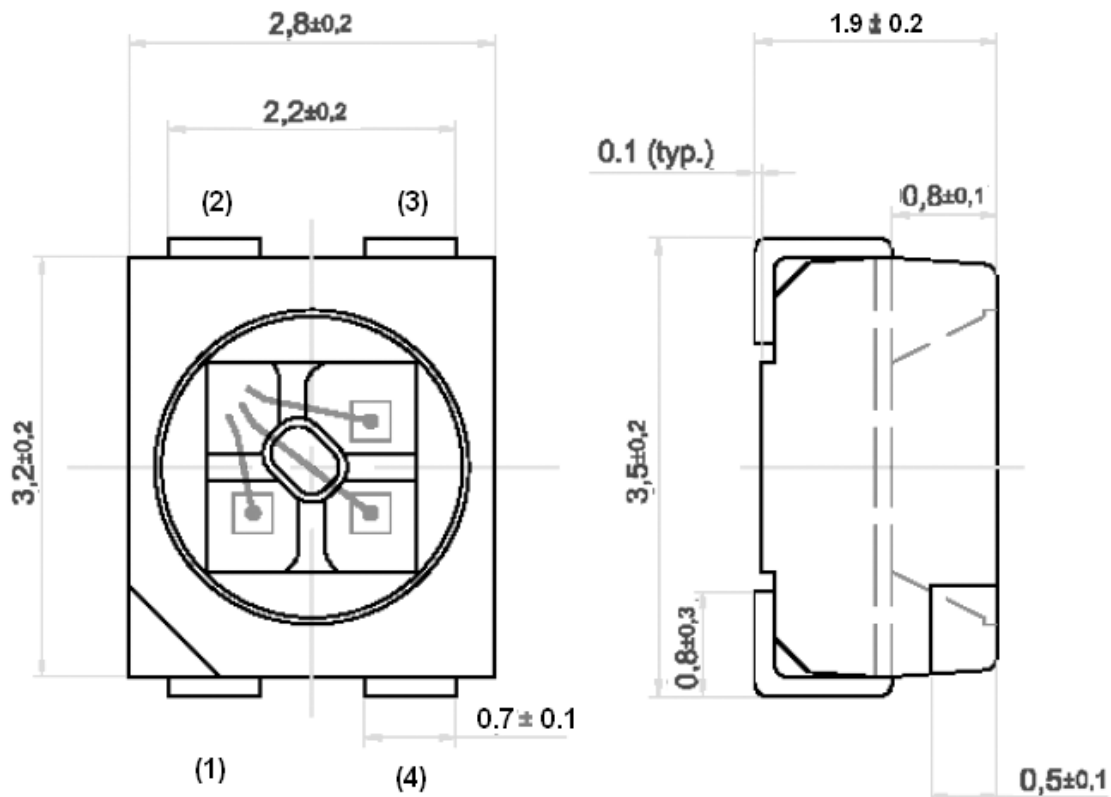
American Opto Plus LED Corp. 1206 E. Lexington Ave., Pomona., CA 91766

Tel: 909-465-0080 Fax: 909-465-0130 Web: www.aopled.com email: info@aopled.com



L955 Tri-Color RGB Top LED: 3.2 x 2.8 mm

Package Dimension :



Notes: Unit = mm [inch] , Tolerance = ± 0.25 mm [± 0.01 inch]

Part Number	Chip		Luminous Intensity	Forward Voltage		Dominan Wavelength	
	Color	Grade	Range (mcd)	Vf	Grade	Range	
L955LELPGIBC	Red	R3	100 – 140	Typ. 1.8	FULL	620 - 630	
		S3	140 - 200	Max. 2.45			
	Green	S3	140 - 200	Typ. 3.7	A	521 – 526	
		T3	200 - 285	Max. 4.25	B	526 – 531	
			C	531 – 536			
	Blue	N3	35.5 – 50.5	Typ. 3.6	A	465 - 470	
P3		50.5 – 71.5	Max. 4.25	B	470 – 475		
		Q3	71.5 - 100				
L955UEUPGUBC	Red	S3	140 – 200	Typ. 1.8	Full	618 – 628	
		T3	200 – 285	Max. 2.45			
	Green	U3	285 – 400	Typ. 3.7	A	521 – 526	
		V3	400 – 560	Max. 4.25	B	526 – 531	
			C	531 – 536			
	Blue	R3	100 – 140	Typ. 3.6	A	465 – 470	
S3		140 - 200	Max. 4.25	B	470 – 475		



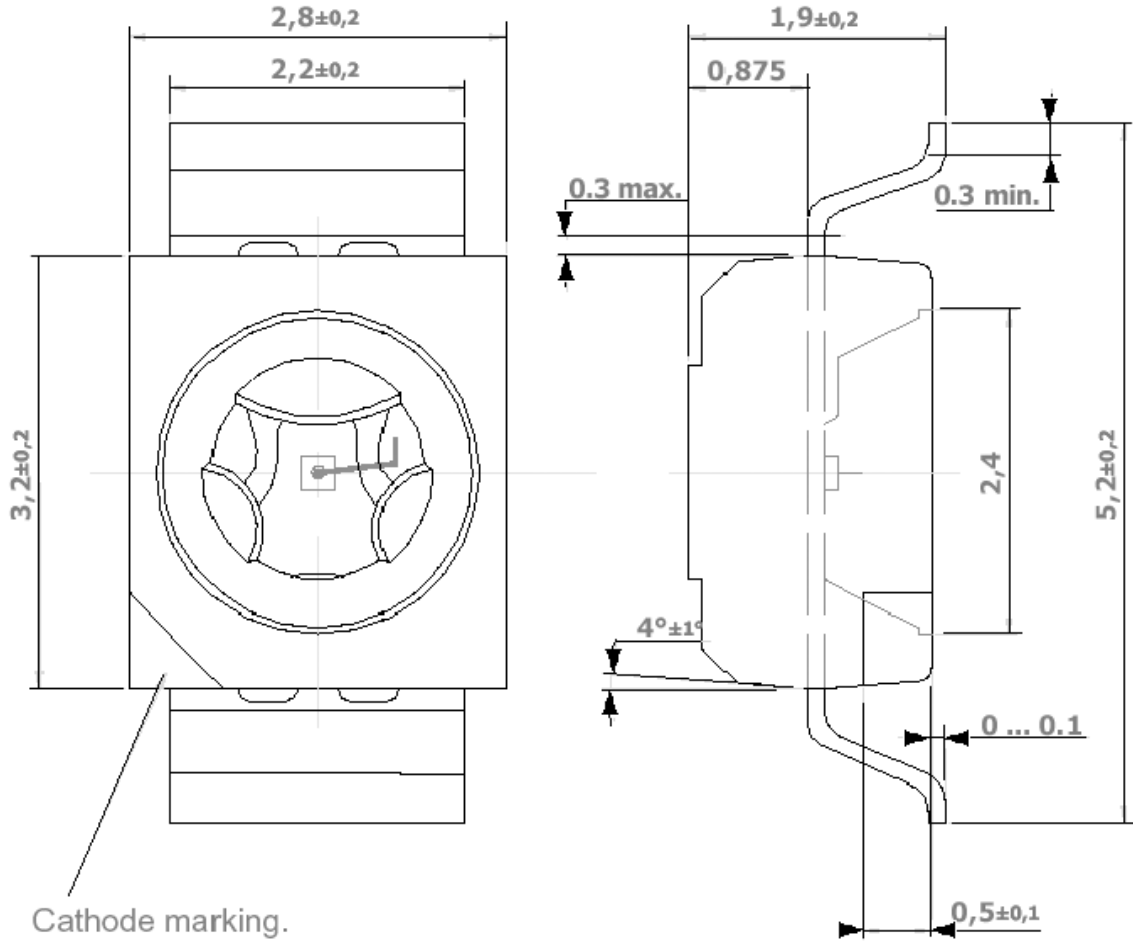
American Opto Plus LED Corp. 1206 E. Lexington Ave., Pomona., CA 91766

Tel: 909-465-0080 Fax: 909-465-0130 Web: www.aopled.com email: info@aopled.com



L955RM-XC REVERSE MOUNT PLCC

Package Dimension :



Notes: Unit = mm [inch] , Tolerance = $\pm 0.25\text{mm}$ [± 0.01 inch]

Part Number	Chip		Wavelength (λ D) Dominant	Iv (mcd) If = 20 mA		Viewing Angle 2 θ 1/2
	Material	Emitted Color		Min.	Typ.	
L955RM-GC	GaP	Green	568	11	28.5	120°
L955RM-LGC	GaP	Green	570	18	45	
L955RM-QEC	AllnGaP	Red	625	71.5	180	
L955RM-QOC	AllnGaP	Amber	605	112.5	285	
L955RM-QYC	AllnGaP	Yellow	587	71.5	180	
L955RM-LYGC	AllnGaP	Green	572	45	112.5	
L955RM-UYGC	AllnGaP	Green	572	71.5	180	
L955RM-UBC	InGaN	Blue	470	112.5	224	
L955RM-UPGC	InGaN	True Green	525	285	715	



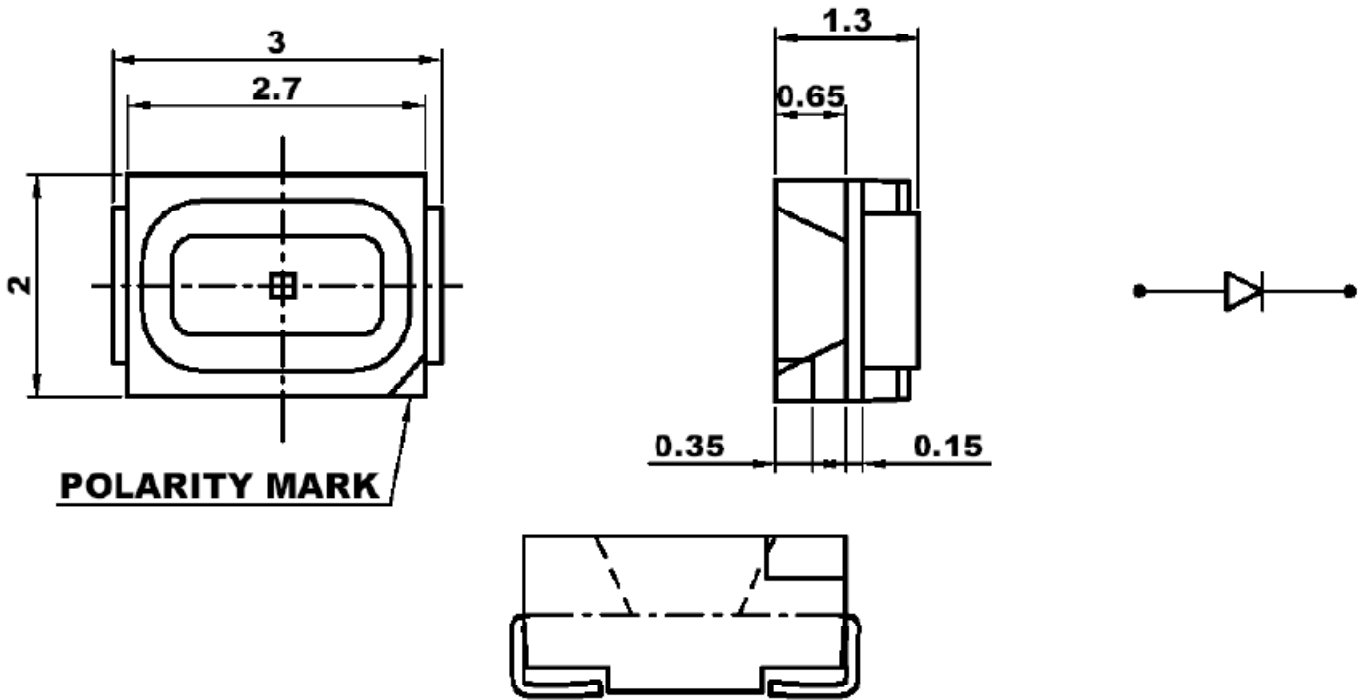
American Opto Plus LED Corp. 1206 E. Lexington Ave., Pomona., CA 91766

Tel: 909-465-0080 Fax: 909-465-0130 Web: www.aopled.com email: info@aopled.com



L102 Reflector Type LED

Package Dimension :



Notes: Unit = mm [inch] , Tolerance = $\pm 0.25\text{mm}$ [± 0.01 inch]

Part Number	Chip		Wavelength (λ D) Dominant	Iv (mcd) If = 20 mA	
	Material	Emitted Color		Min.	Typ.
L102EC-TR	GaAsP	Orange	630	10	50
L102GC-TR	GaP	Green	568	18	60
L102LWC-TR	GaN	White	-	200	400
L102MBC-TR	SiC	Super Blue	468	18	70
L102QBC-TR	GaN	Super Blue	-	35	125
L102QYGC-TR	AlGaInP	Super Green	574	50	135
L102URC-TR	AlGaInP	Super Red	650	90	200
L102UYC-TR	AlGaInP	Super Yellow	591	200	550
L102YC-TR	GaAsP	Yellow	589	7	25
L102UPGC-TR	GaN	Super Green	523	165	450



American Opto Plus LED Corp. 1206 E. Lexington Ave., Pomona., CA 91766

Tel: 909-465-0080 Fax: 909-465-0130 Web: www.aopled.com email: info@aopled.com

